

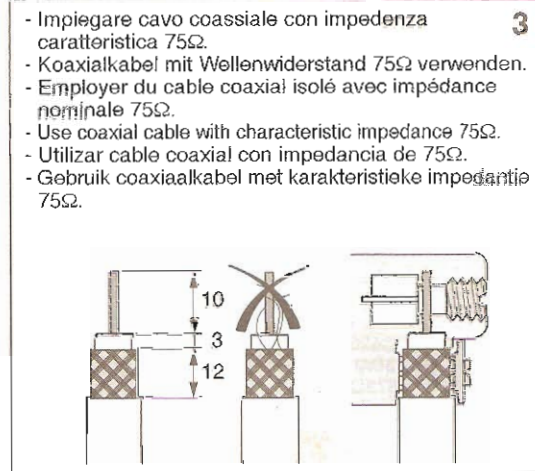
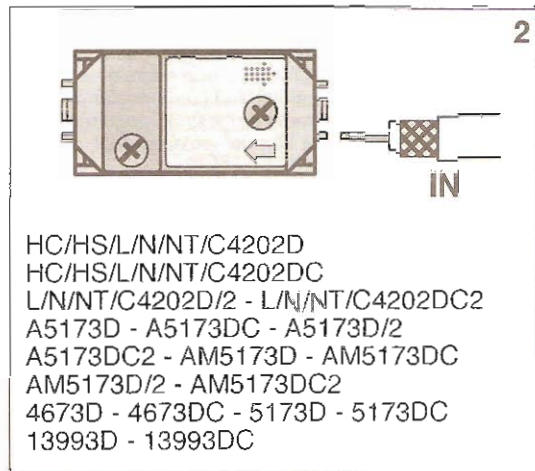
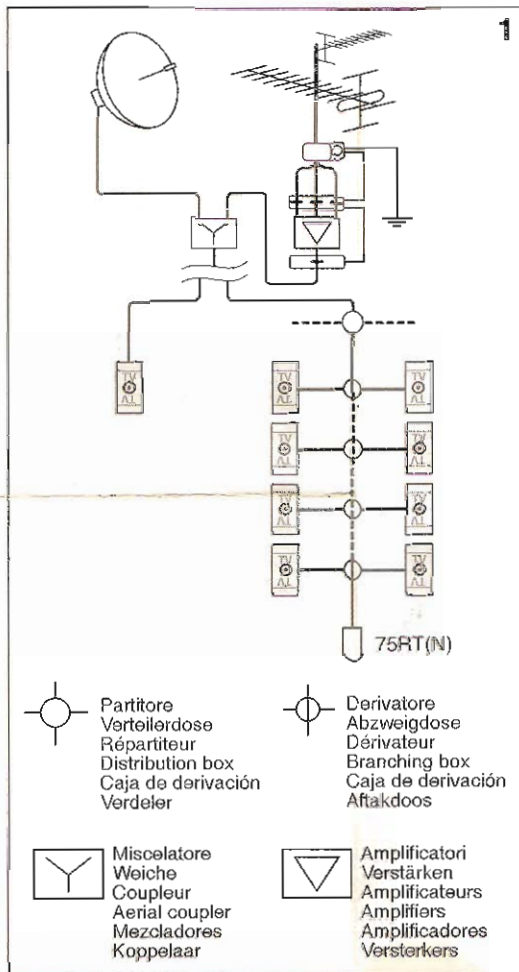
bticino

PART. E3160E

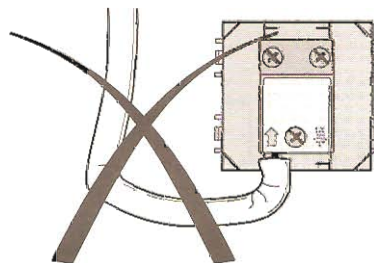
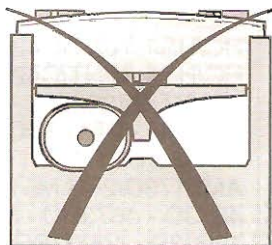
HC/HS/L/N/NT/C4202D
HC/HS/L/N/NT/C4202DC
L/N/NT/C4202D/2
L/N/NT/C4202DC2
A5173D
A5173DC
A5173D/2
A5173DC2
AM5173D
AM5173DC
AM5173D/2
AM5173DC2
4673D
4673DC
5173D
5173DC
13993D
13993DC

Istruzioni d'uso
Gebrauchsanweisungen
Notice d'emploi
Instruction sheet
Instrucciones de uso
Gebruiksaanwijzing

03/07 - 01 - AP



- Evitare curvature a raggio troppo piccolo e schiacciamenti del cavo coassiale.
- Biegeradien zu kleine un Pressungen des Koaxialkabels vermeiden.
- Eviter des rayons de courbure trop petits et la compression du cable coaxial.
- Avoid small bending radius and compression of the coaxial cable.
- Evitar curvaturas de radio demasiado pequeño y aplastamiento del cable coaxial.
- Vermijd sterke buiging van de coaxiaalkabel, om hem niet te pletten



Ad= Attenuazione diretta o di derivazione
Anschlußdämpfung
Atténuation de dérivation
Side loss
Atenuación directa o de derivación
Aftakdemping

Zo= Impedenza caratteristica
Wellenwiderstand
Impedance nominale
Nominal impedance
Impedancia
Nominale impedantie

	Ad	Zo			B1	FM	VHF	UHF	SAT IF
		Ω	V/mA	kHz / V	MHz	MHz	MHz	MHz	MHz
HC/HS/L/N/NT/C4202D - L/N/NT4202D/2 A5173D - A5173D/2 - AM5173D AM5173D/2 - 4673D - 5173D - 13993D	<1	75	≤500						
HC/HS/L/N/NT/C4202DC - L/N/NT/C4202DC2 A5173DC - A5173DC2 - AM5173DC AM5173DC2 - 4673DC - 5173DC - 13993DC	<1,5								

